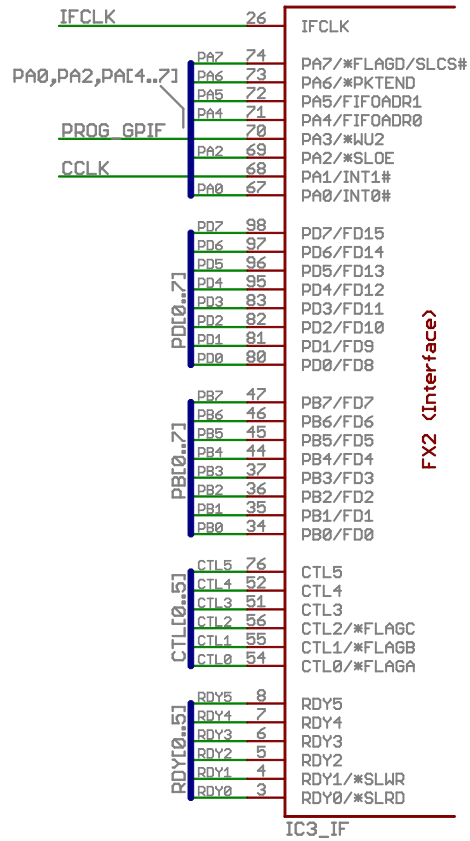


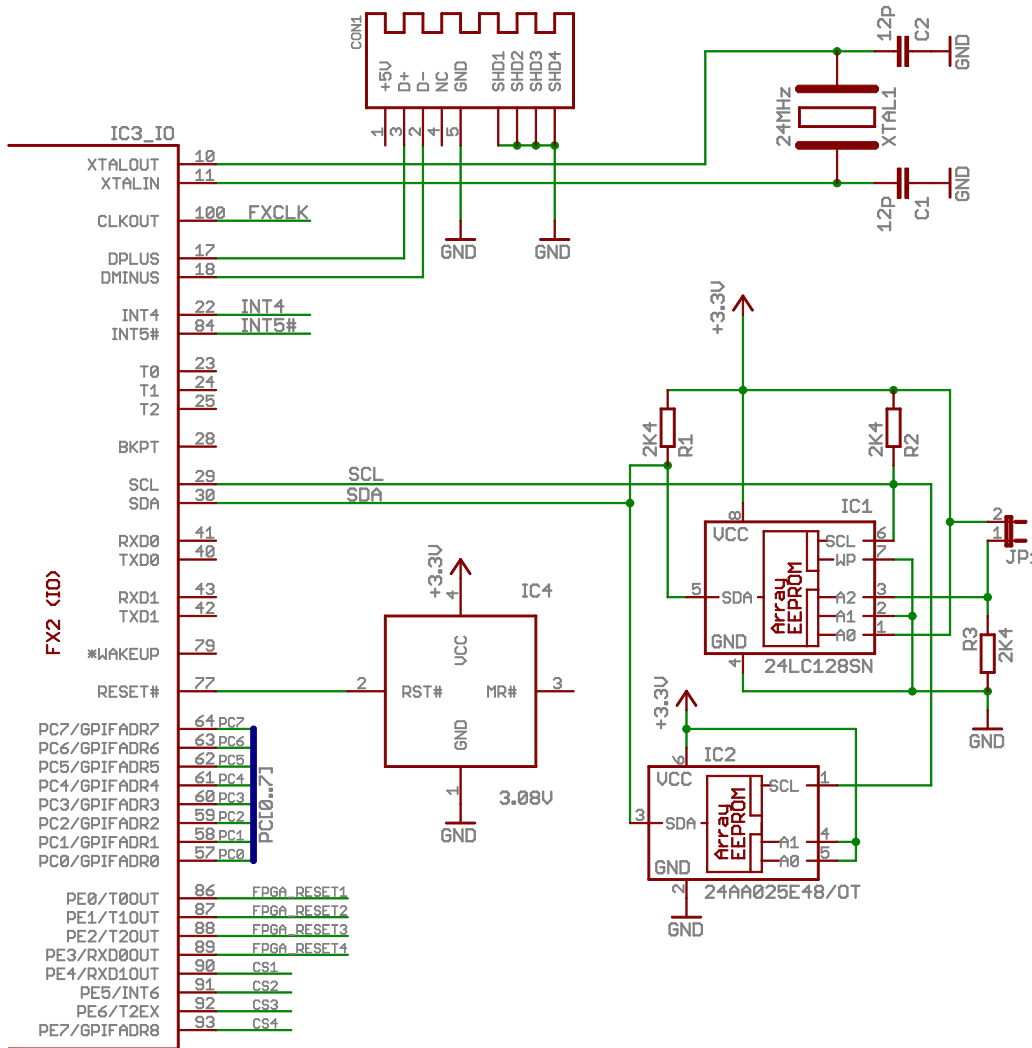
Circuit diagram of ZTEX USB-FPGA-Module 1.15y

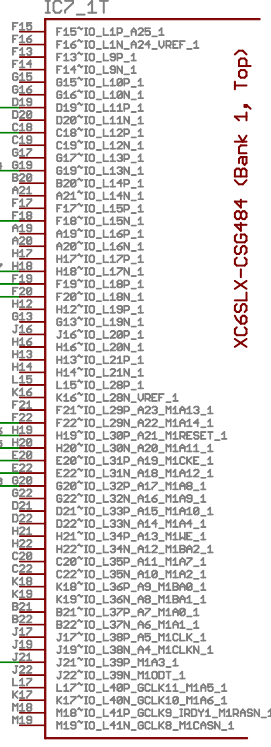
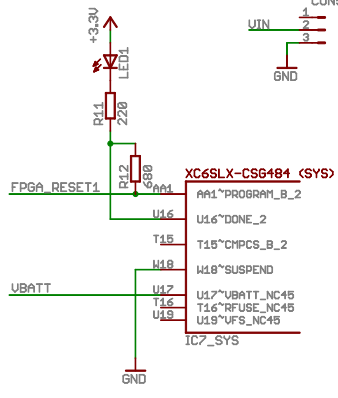
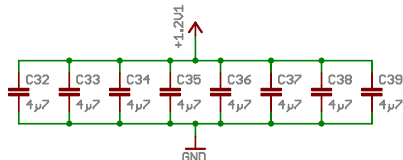
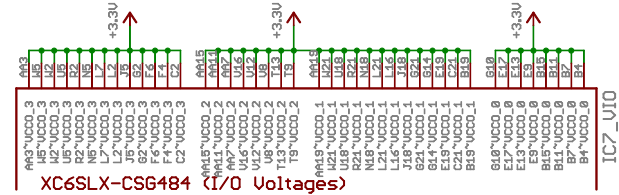
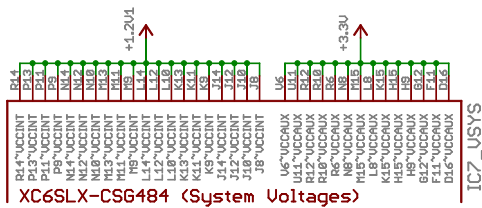
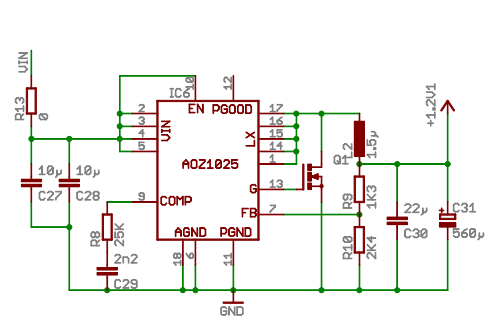
Contents:

Sheet 1	EZ-USB FX2 I/O, USB, EEPROM
Sheet 2	FPGA 1
Sheet 3	FPGA 2
Sheet 4	FPGA 3
Sheet 5	FPGA 4
Sheet 6	JTAG, CPLD, Power

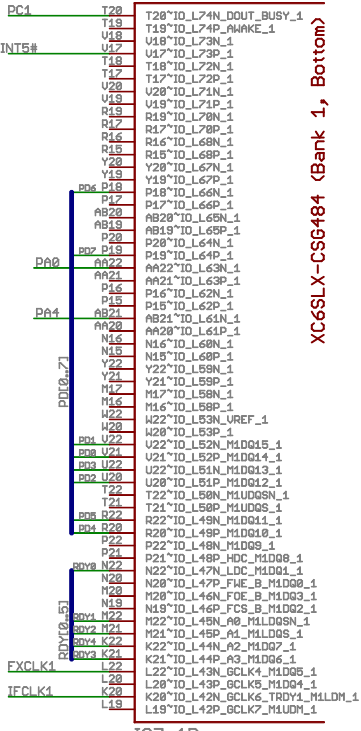


FX2 (Interface)

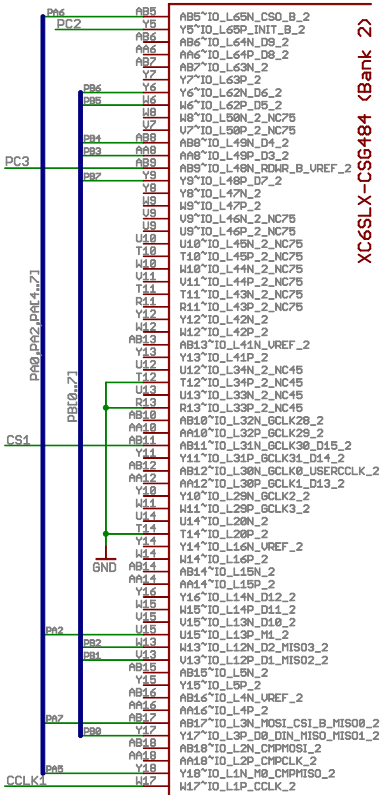




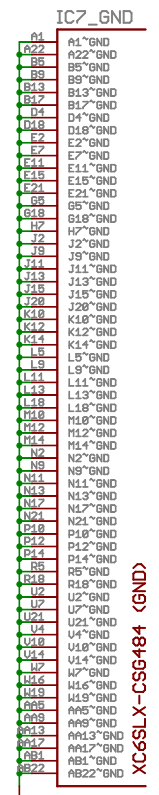
XC6SLX-CSG484 (Bank 1, Top)



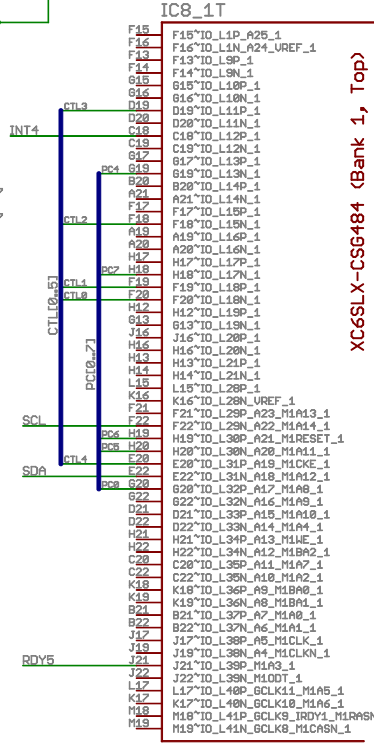
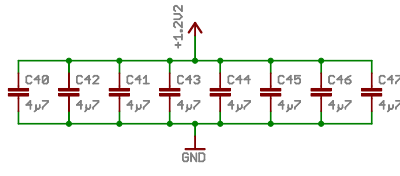
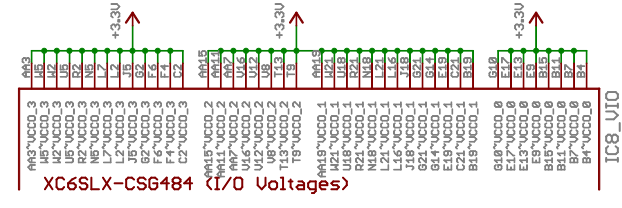
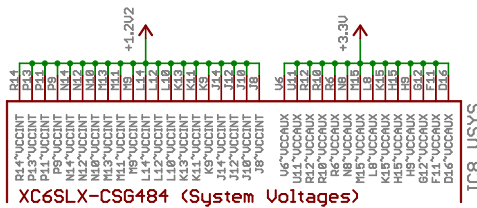
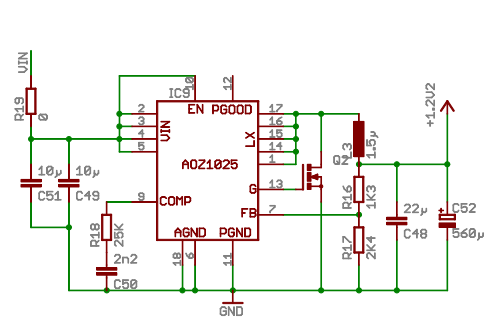
XC6SLX-CSG484 (Bank 1, Bottom)



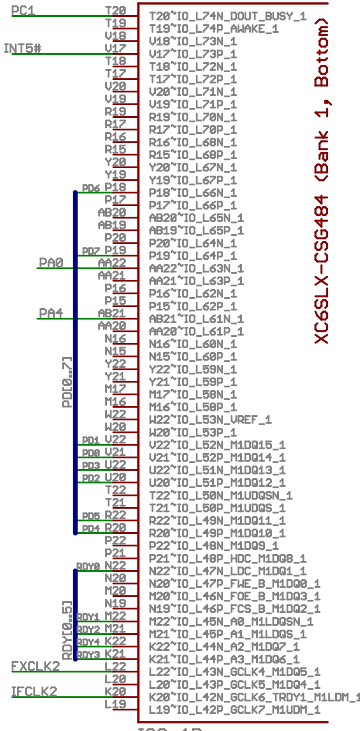
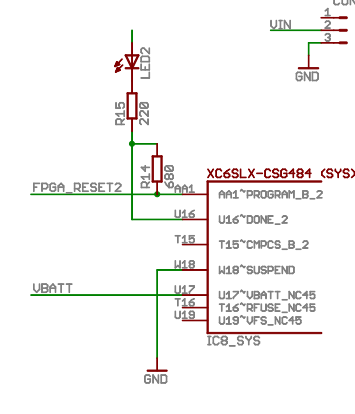
XC6SLX-CSG484 (Bank 2)



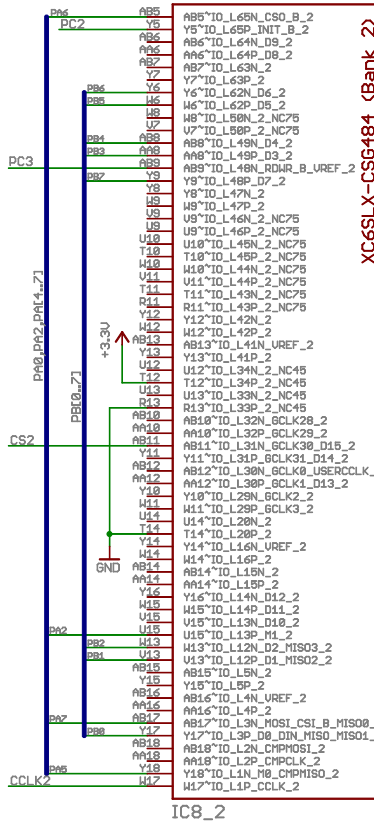
XC6SLX-CSG484 (GND)



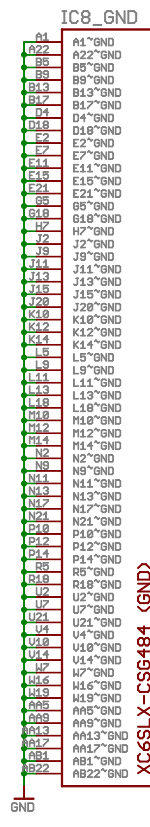
XC6SLX-CSG484 (Bank 1, Top)



XC6SLX-CSG484 (Bank 1, Bottom)



XC6SLX-CSG484 (Bank 2)



XC6SLX-CSG484 (GND)

