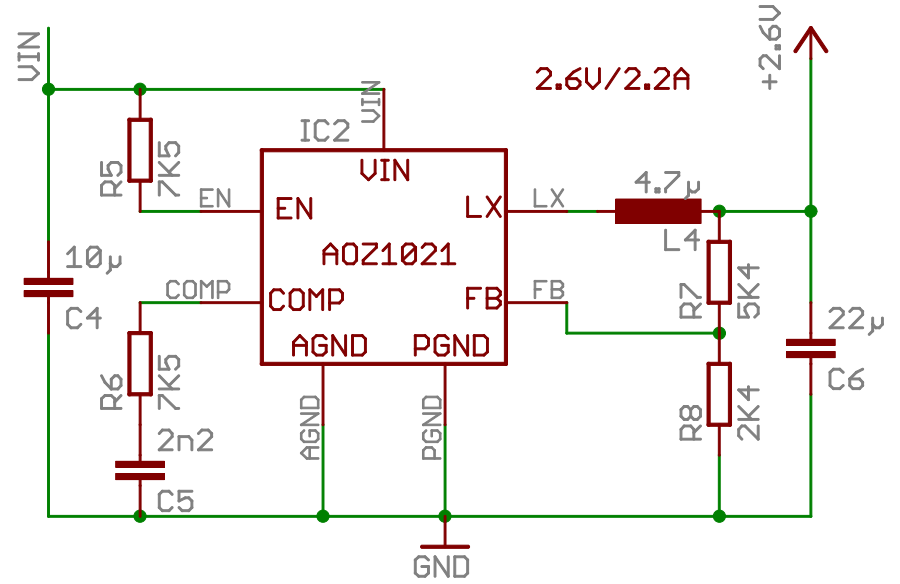
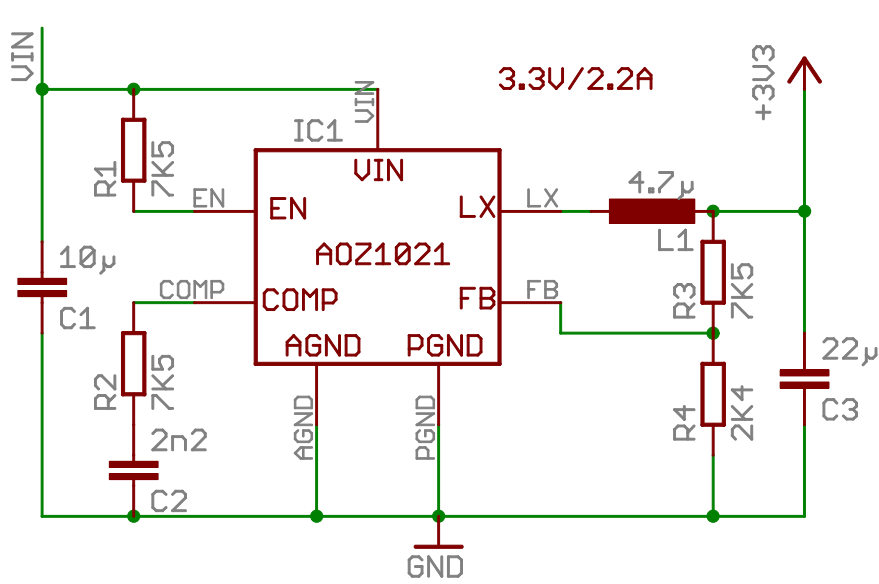


Circuit diagram of ZTEX Power Supply Module 1.1

Contents:

| | |
|---------|--------------------------|
| Sheet 1 | Voltage regulators |
| Sheet 2 | JTAG and power interface |



Input voltage: 4.5..16V

