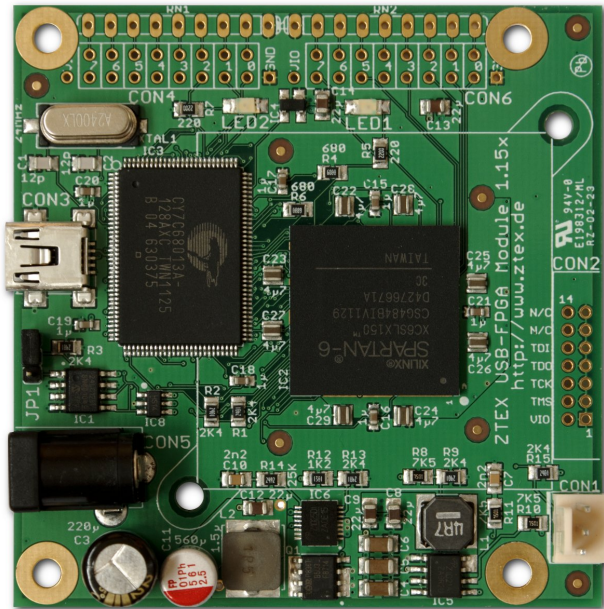
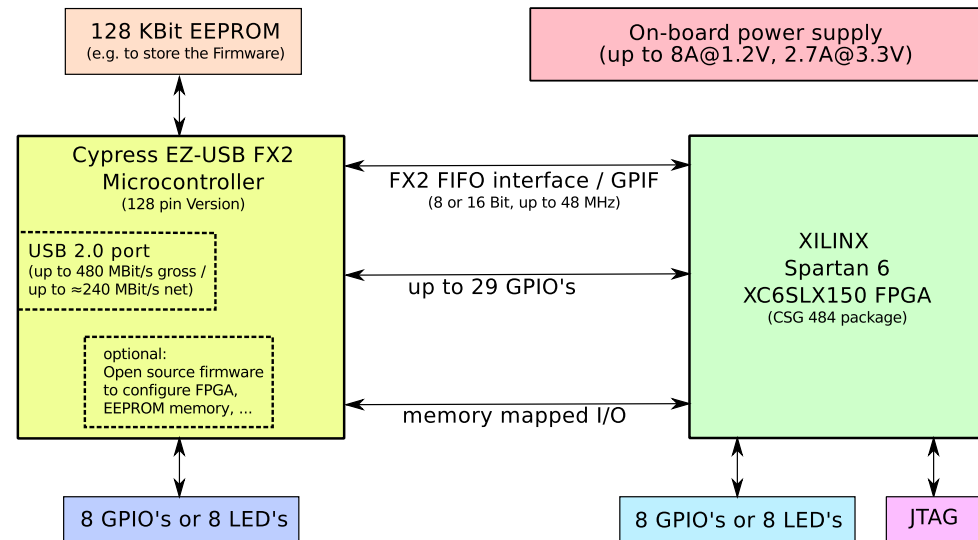


Features

- Xilinx Spartan 6 FPGA LX150 (XC6SLX150-N3) FPGA
- USB 2.0 interface
- Cypress CY7C68013A EZ-USB FX2 Microcontroller
- Memory mapped IO between EZ-USB FX2 and FPGA
- 128 Kbit EEPROM memory (can be used to store the firmware)
- 2 Kbit MAC-EEPROM: contains a unique non erasable MAC-address
- High efficiency on-board power supply:
 - Wide input range: 4.5 V to 16 V
 - 3.3 V @ 2.5 A
 - 1.2 V @ 8A
- Large heat sink for active or passive cooling
- 8 + 8 GPIO's or LED's from EZ-USB FX2 and FPGA
- FPGA configuration via USB (no JTAG adapters required)
- Can be used to build low-cost clusters using standard components



Block diagram



Applications

USB-FPGA Modules 1.15x are optimized for computations that do not require much bandwidth and RAM such as

- Bitcoin-Mining, software BTCMiner available at <http://www.ztex.de/btcminer>
- Computation of Rainbow Tables
- Brute-force searches
- Other cryptographic applications
- Monte Carlo methods
- Bioinformatic calculations

SDK and Examples

An Open Source Firmware Development Kit with platform independent host software API is available for the USB-FPGA Modules 1.15x. The SDK package contains a lot of examples which can be used as starting point for own applications.

More Information are available at: <http://www.ztex.de/firmware-kit/index.e.html>

For detailed information please visit:

<http://www.ztex.de/usb-fpga-1/usb-fpga-1.15x.e.html>